

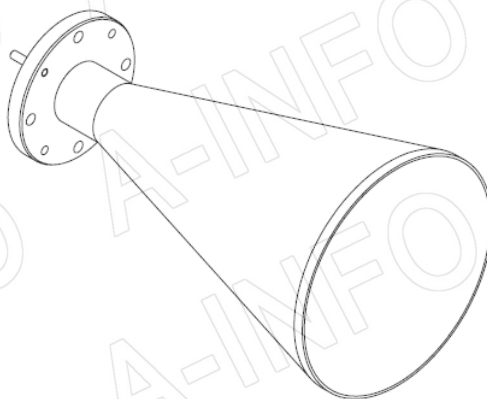
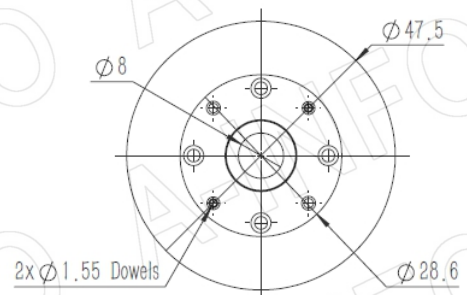
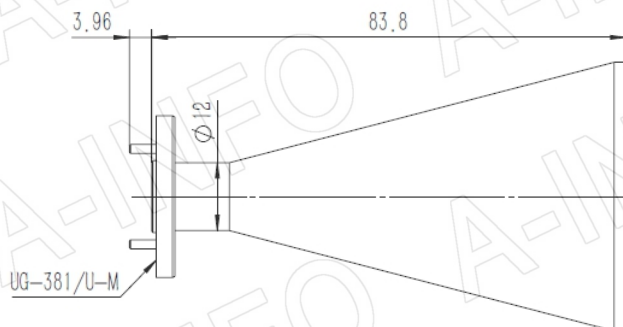
For reference only. See data sheet for the detailed specifications.

## Technical Specification

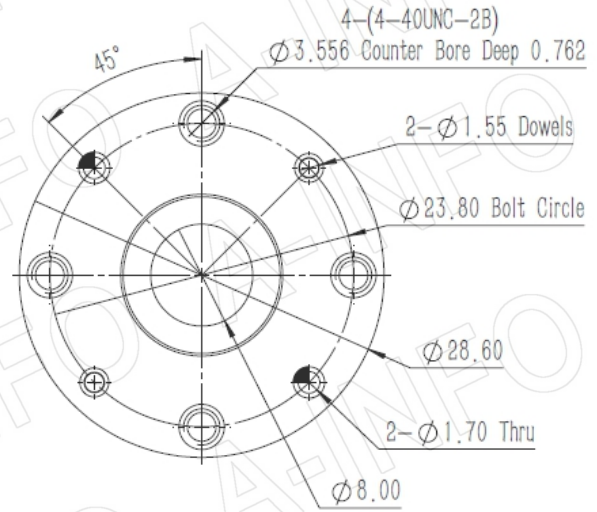
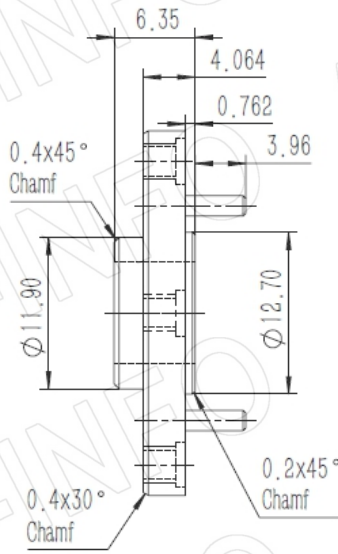


Frequency Range(GHz)	26.0 - 33.0
Circular WG Size	8.0mm / 0.315"
Gain(dBi)	20 Typ.
Polarization	Linear and Circular
3dB Beamwidth(deg)	E Plane: 15 Typ.
	H Plane: 13 Typ.
Cross Pol. Isolation(dB)	30 Typ.
VSWR	1.25:1 Max.
Output	UG-381/U-M
Material	Cu
Finish	Gold Plated
Size(mm)	47.5 x 47.5 x 83.8
Net Weight(Kg)	0.08 Around

## Outline Drawing (Size: mm)



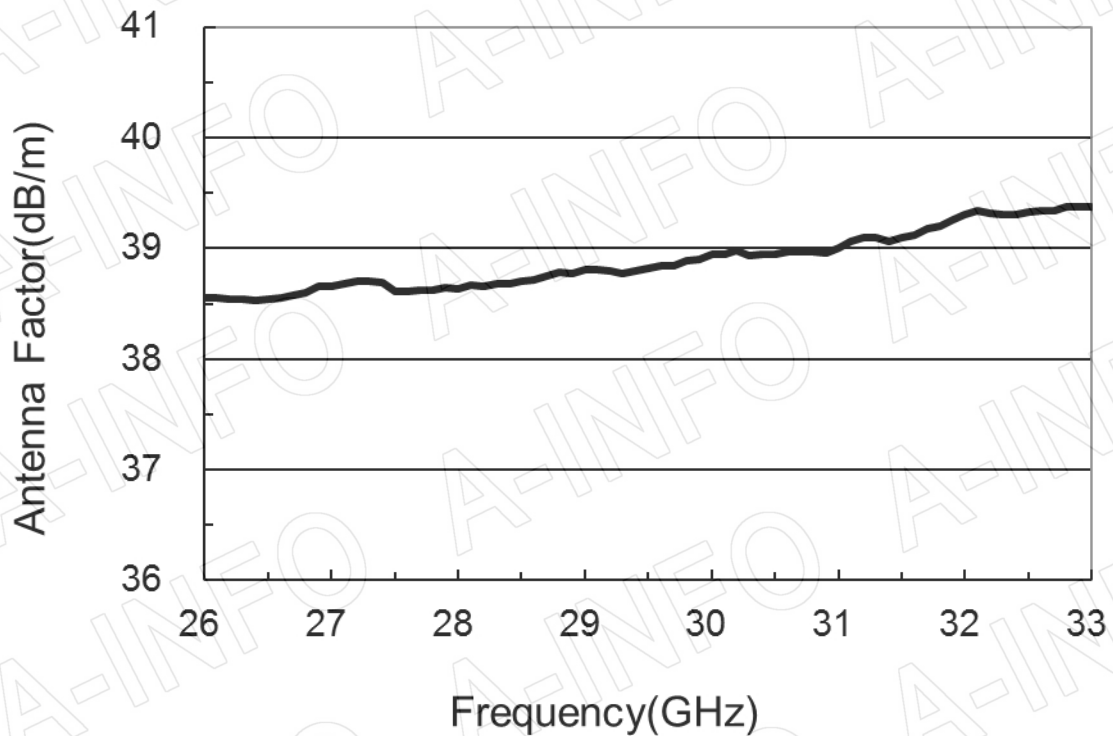
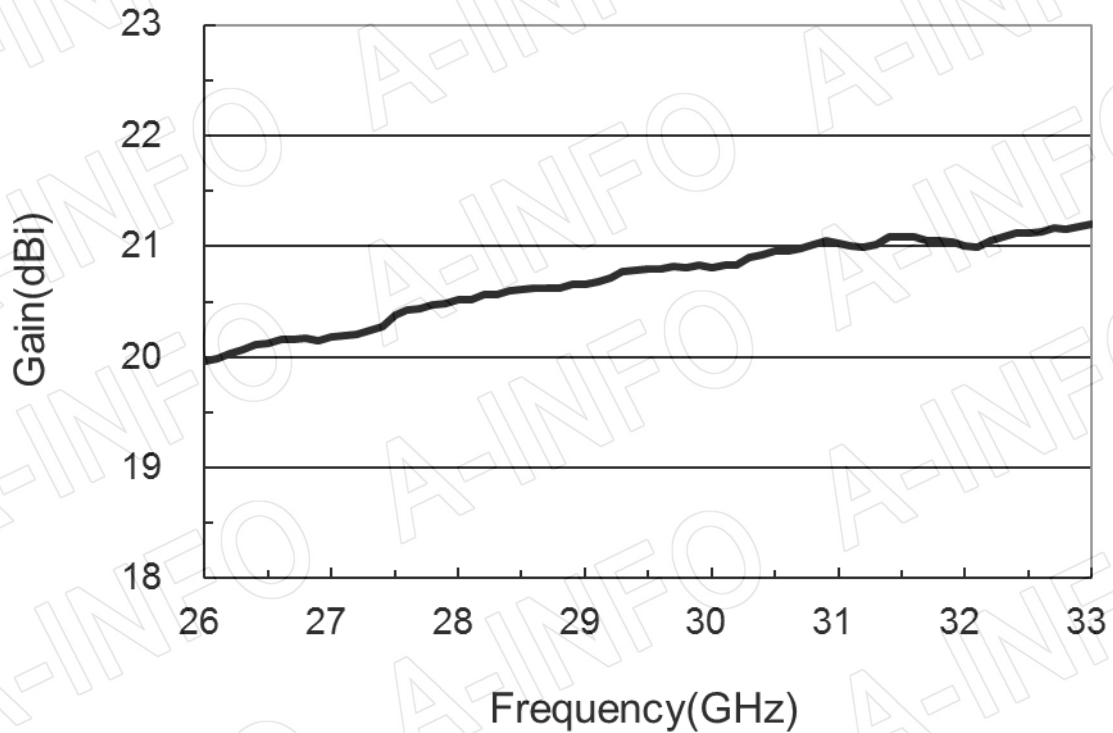
## Flange Drawing (Size: mm)



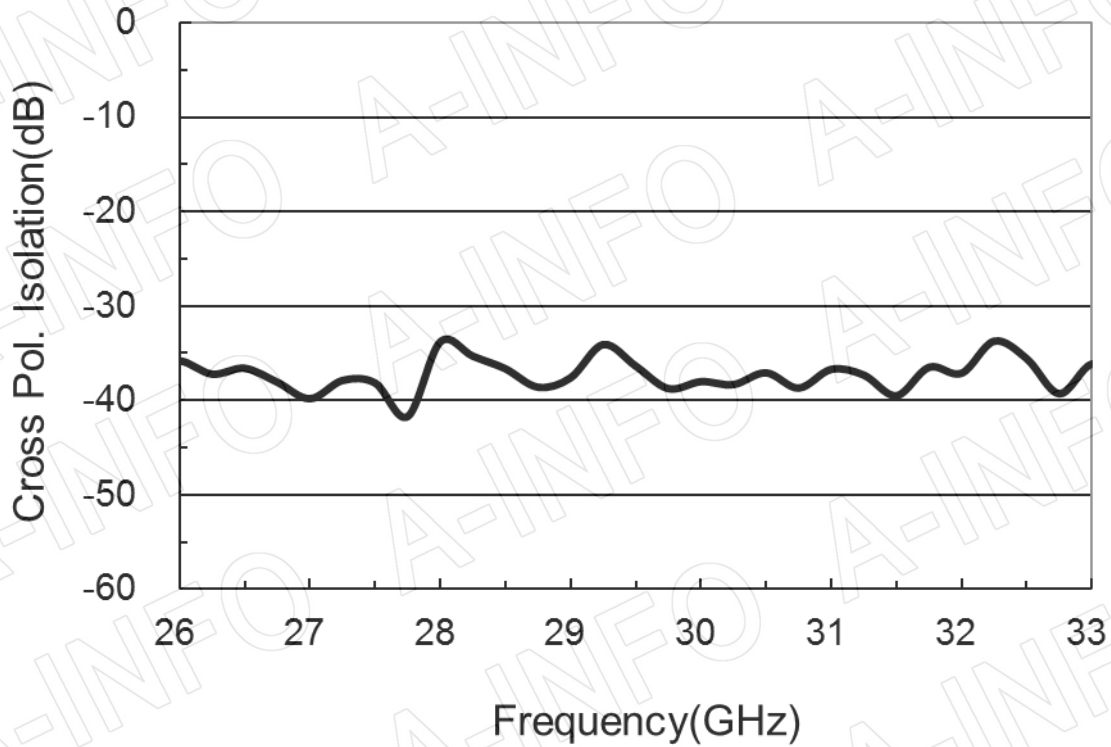
UG-381/U-M

## Test Results (Including circular to rectangular transition)

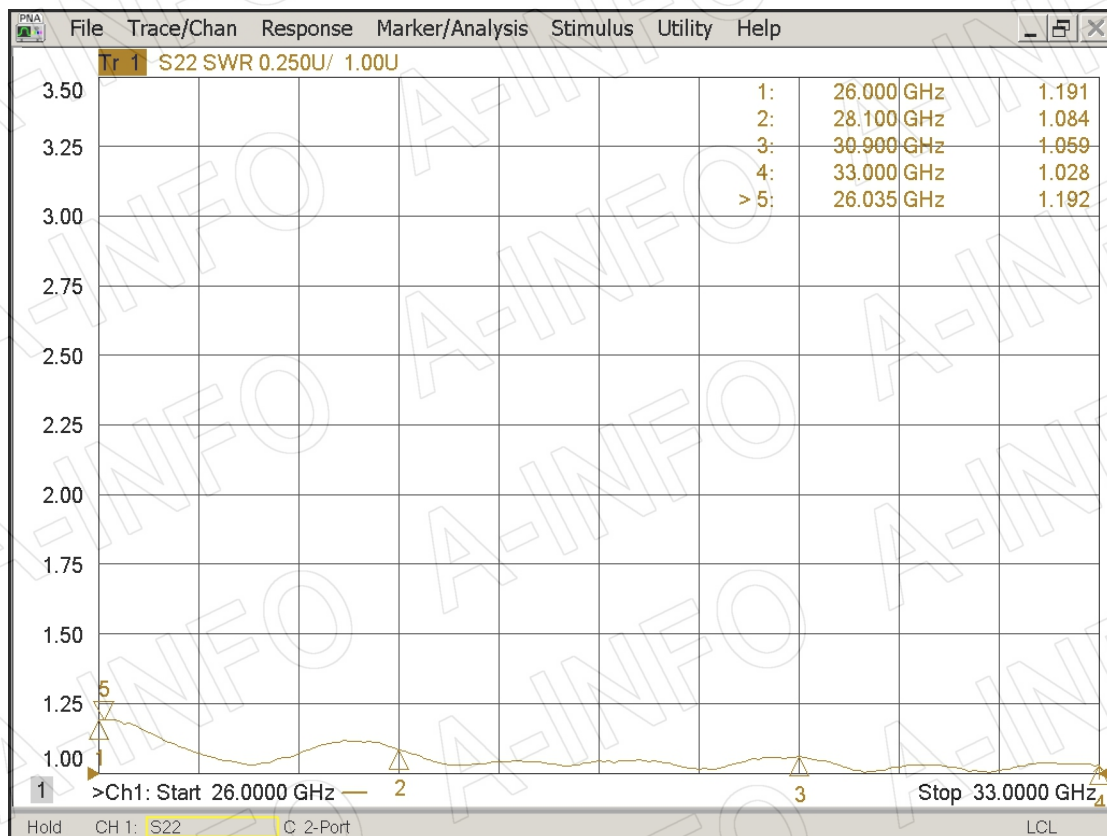
### 1. Gain & Antenna Factor



## 2. Cross Polarization Isolation



## 3. VSWR





## 4. Pattern

